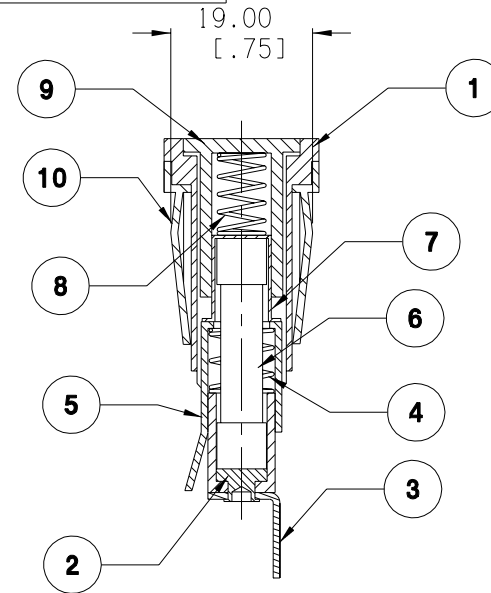
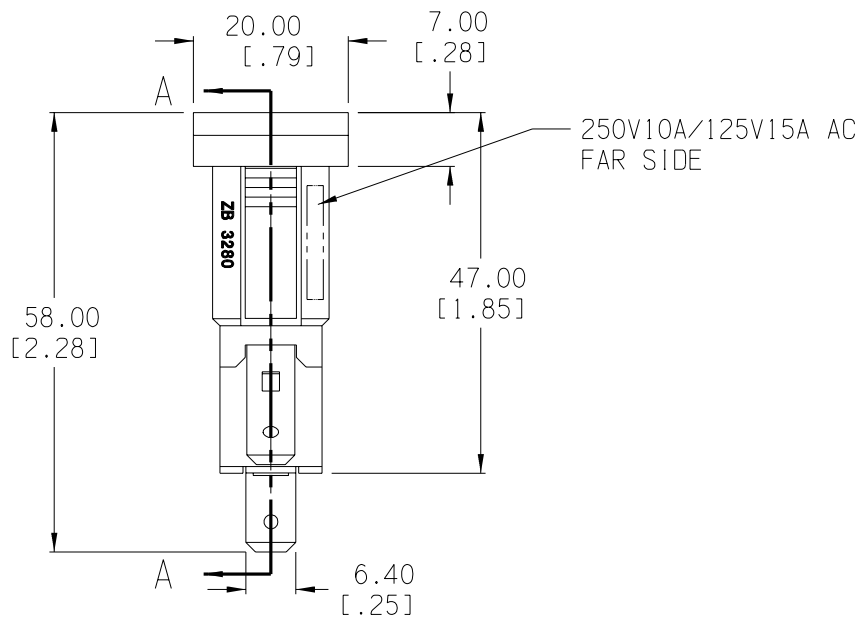



ITEM NO.	PART NAME	MATL. SPECIFICATION	CAT. NO.	APPROVED NO.
1	BODY	BAKELITE, BLACK		
2	RIVET	BRASS		
3	TERMINAL LUG	BRASS, BSP1, 0.8mm THK, NICKEL PLTD		
4	SPRING (BIG)	SWRS 0.7mm DIA., TIN PLTD		
5	CENTER CONTACT	BRASS BSP1, 0.8mm THK, NICKEL PLTD		
6	FUSE	3 amp		
7	BRASS CAP	BRASS BSP1, 0.4mm THK, NICKEL PLTD		
8	SPRING (SMALL)	SWRS, 0.7mm DIA., TIN PLTD		
9	TOP COVER	BAKELITE, BLACK		
10	SNAP HOLDER	NYLON, PA66, DYED		

Date	SYM	REVISION RECORD	AUTH	DR.	CK.



NOTE:
UL FILE NO. E120596(S)

Tolerance (Inches)	 Memory Protection Devices, Inc. 200 Broad Hollow Road, Farmingdale, New York 11735		
Decimal ±.5 (.020)		Scale	Drawn By B.S. Approved By T.B.
Fractional ± .8 (.030)	Title FUSE HOLDER		
Angular ± 3°	Date 02/02/02	Drawing Number ZB3280	