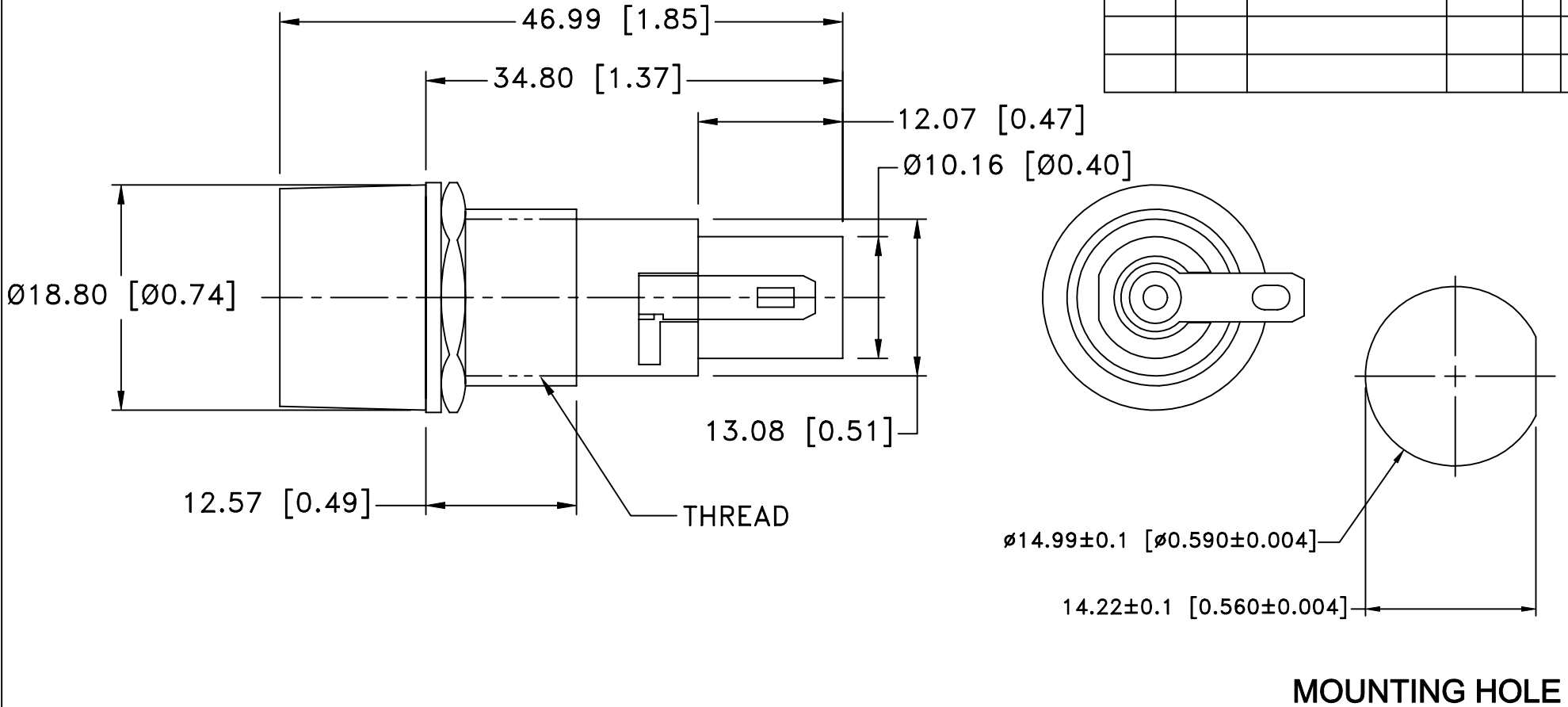



Date	SYM	REVISION RECORD	AUTH	DR.	CK.



NOTES:

- MATERIAL:**
HOUSING : BLACK BAKELITE TYPE.
250V, 10A
 $\varnothing 6.4 \times 30 \sim 32\%$ USE

Tolerance (Except as noted)	 Memory Protection Devices, Inc 200 Broad Hollow Road, Farmingdale, New York 11735		
decimal $\pm .5$ (.020)	Scale	Drawn By B.S.	
Fractional $\pm .8$ (.030)	Title FUSE HOLDER		
Angular $\pm 3^\circ$	Date 05/03/01	Drawing Number ZB3240	