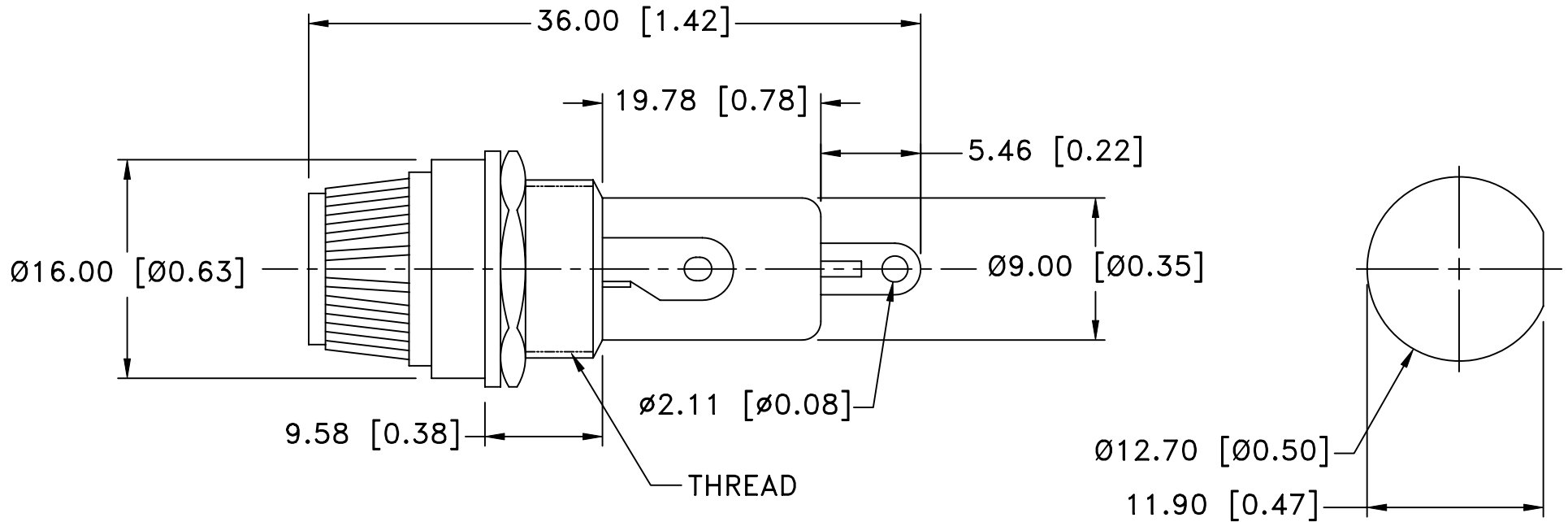



Date	SYM	REVISION RECORD	AUTH	DR.	CK.
11/15/03	A	CORRECTED FUSE SIZE	T.B.	B.S.	



MOUNTING HOLE

NOTES:

- MATERIAL:**
HOUSING : BLACK BAKELITE TYPE.
250V, 10A
FUSE: FITS $\varnothing 5 \times 20$ mm

Tolerance (Except as noted)	 Memory Protection Devices, Inc 200 Broad Hollow Road, Farmingdale, New York 11735	
decimal $\pm .5$ (.020)	Scale	Drawn By B.S.
Fractional $\pm .8$ (.030)	Title FUSE HOLDER	
Angular $\pm 3^\circ$	Date 11/15/03	Drawing Number ZB3221
	Approved By T.B.	